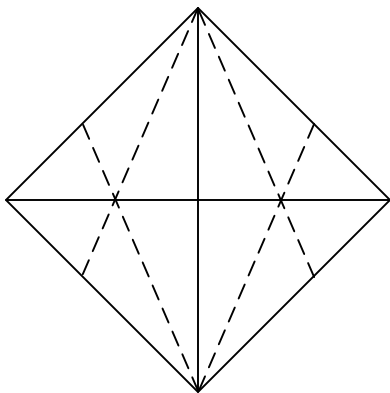
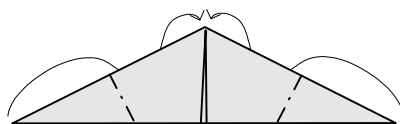
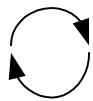


# Fishball

by Joseph Power

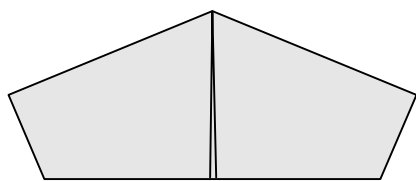


1. Start with a fish base.

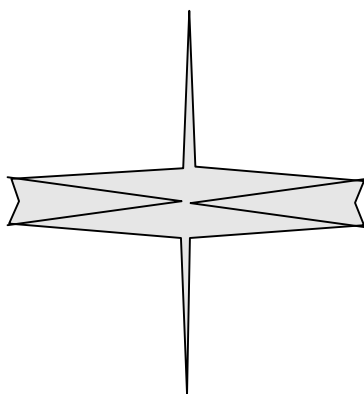


2. Inside-reverse fold the long points to the apex. Make 2 each of three colors.

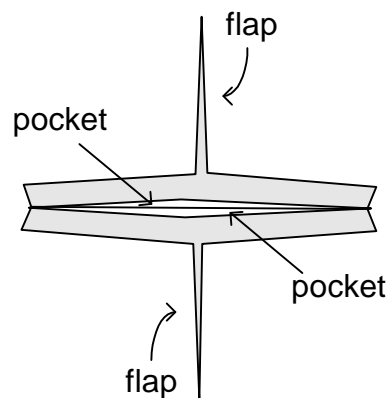
Completed Unit



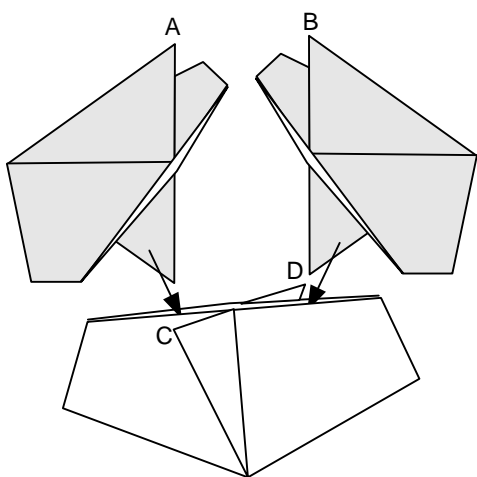
Side



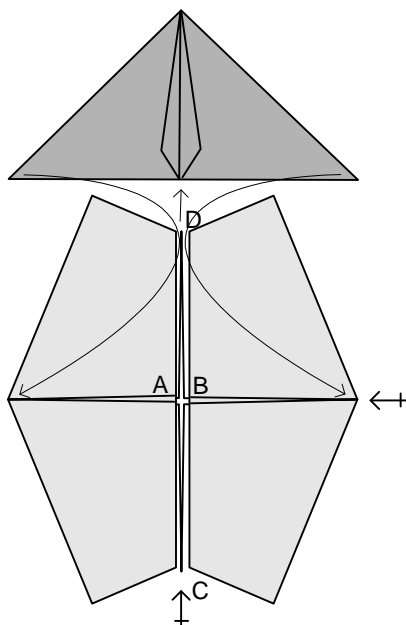
Top



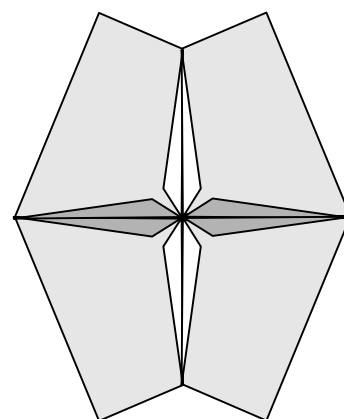
Bottom



3. Insert triangular flaps of same colored units into pockets (switching sides is best)



4. Continue adding units so same colored pieces are opposite.



5. Finished model seen from any corner.