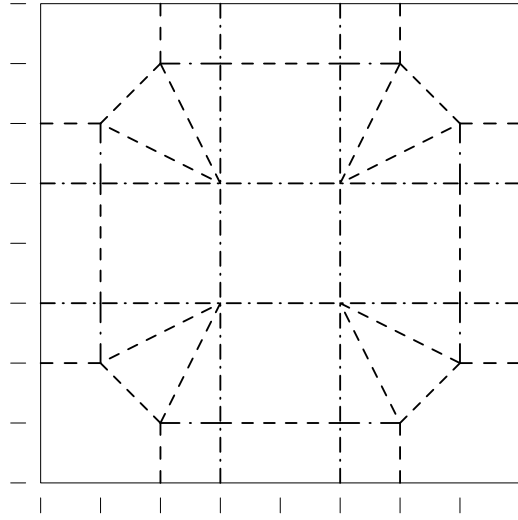
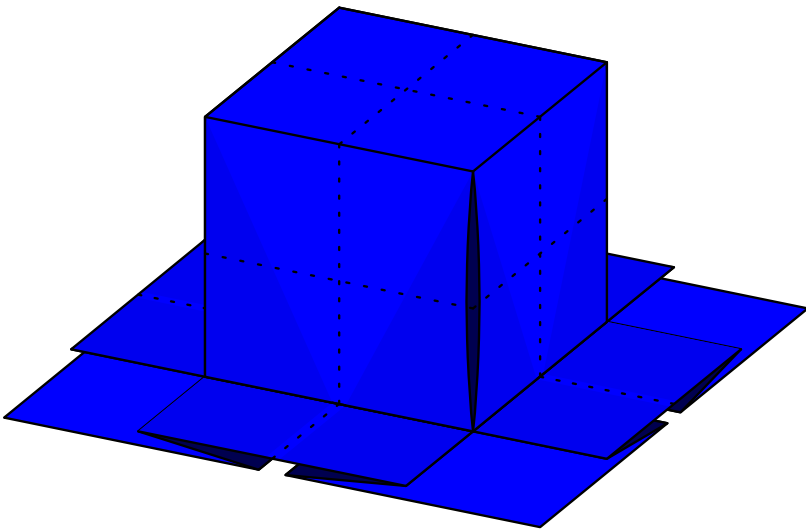


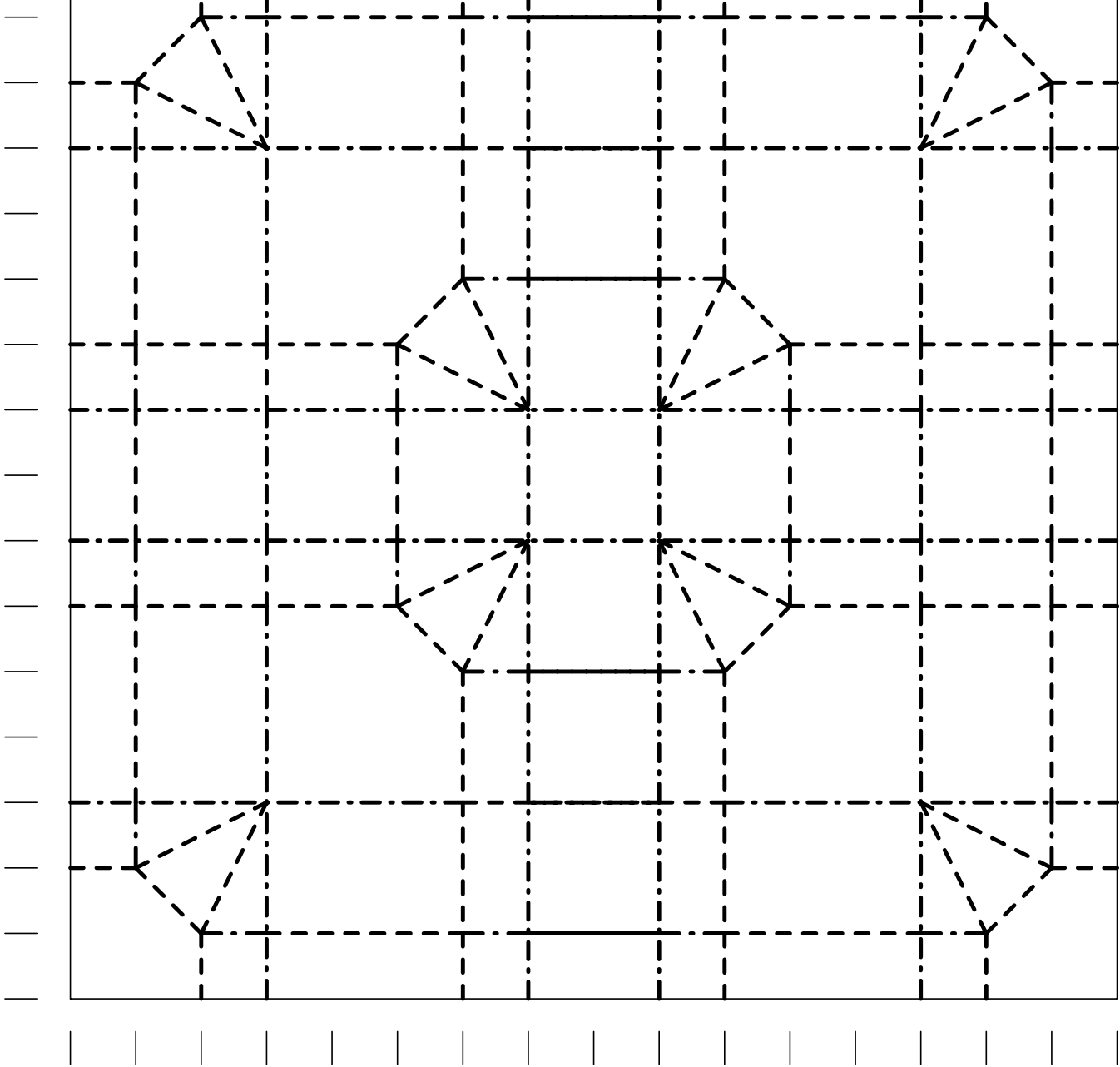
1



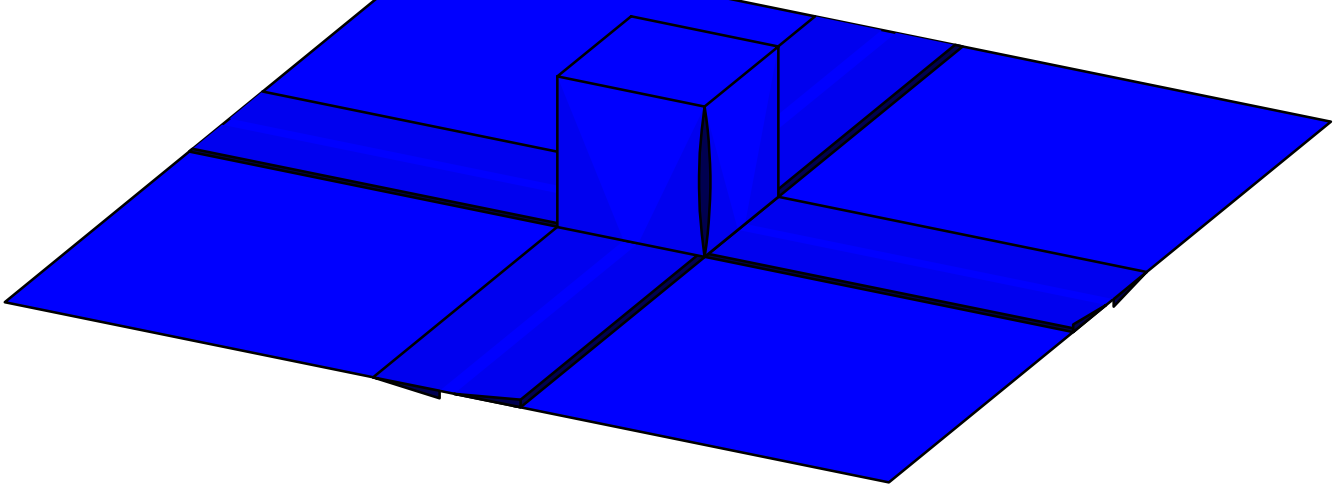
2 Collapse (see diagram 3).



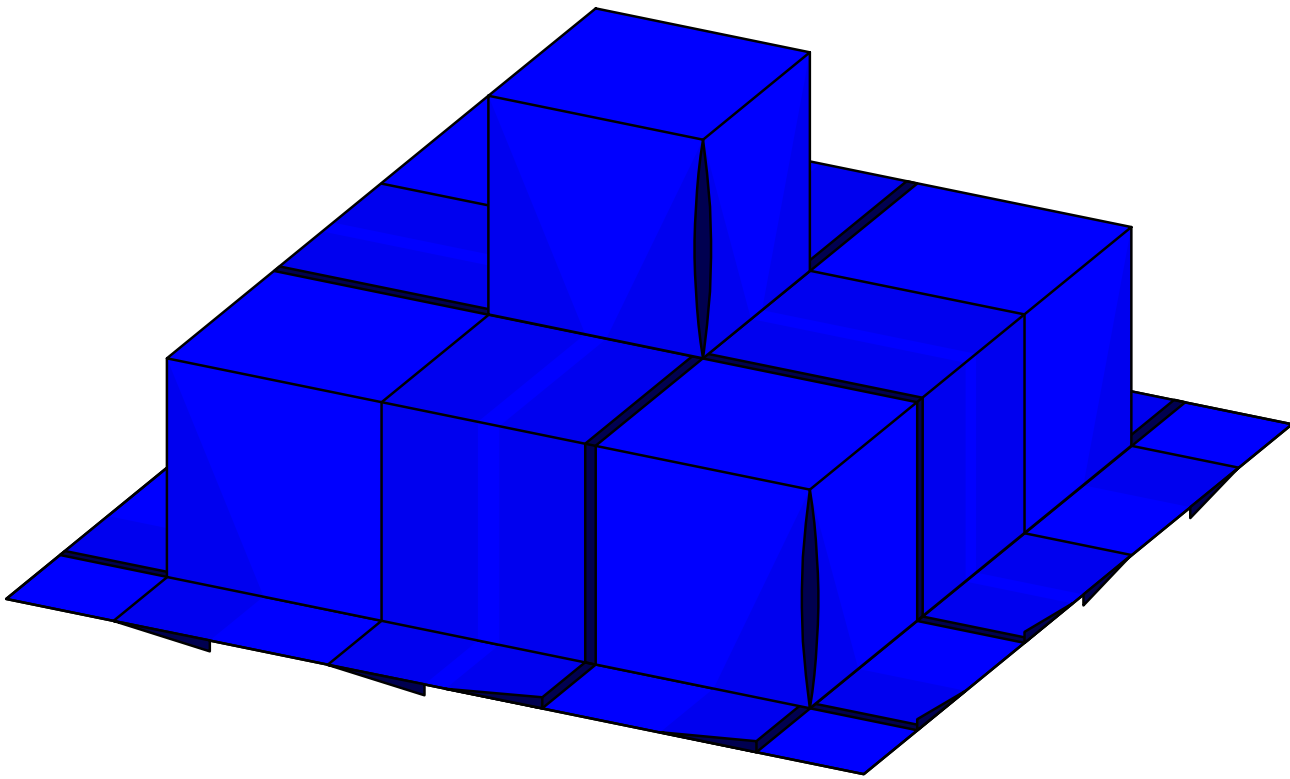
3 The darker areas show where more layers of paper overlap.



- 4 First collapse the central part. You get the same cube as in diagram 3, but with a large rim.



5 Collapse the rim to make a 2 level pyramid.



6 You may extend this to pyramids with as many levels as you want.