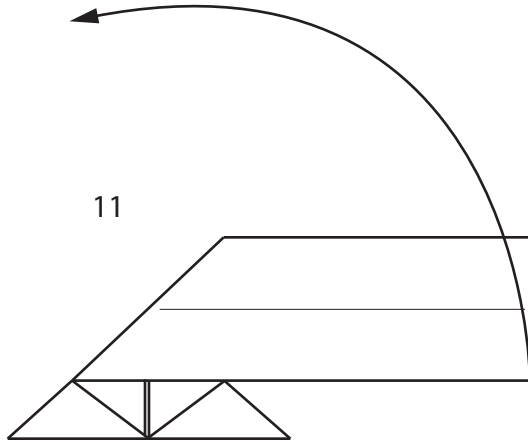
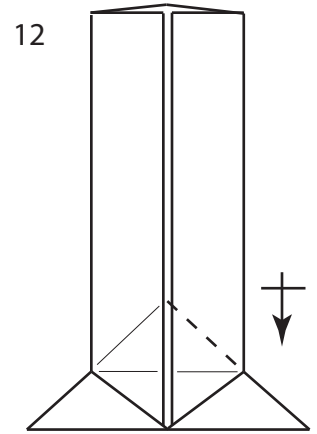


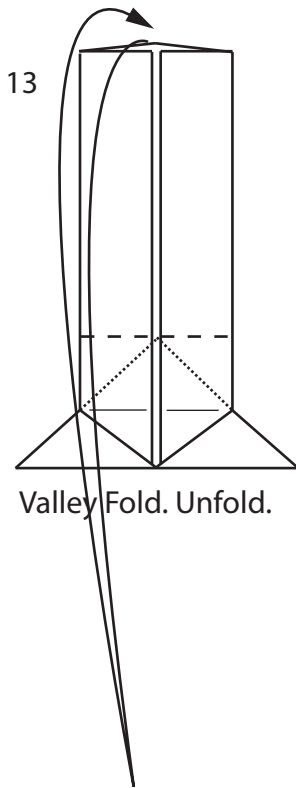
10 Valley fold along edge a-b.
(Crease only to the middle)



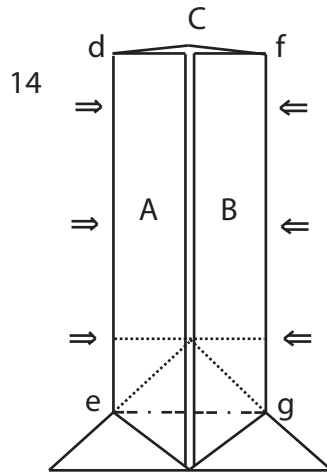
11 Unfold.



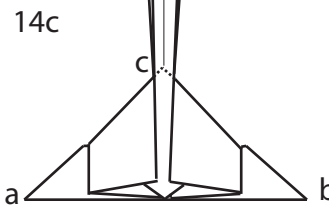
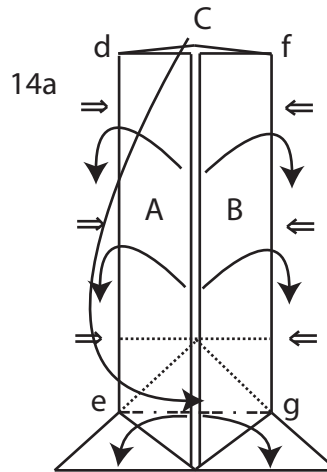
12 Repeat steps 10-11 on the right side.



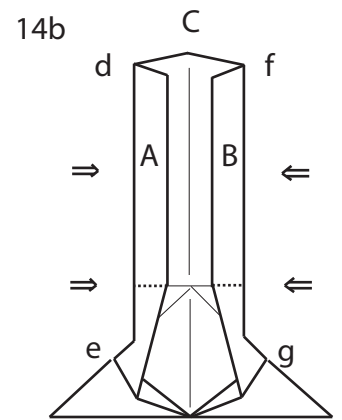
13 Valley Fold. Unfold.



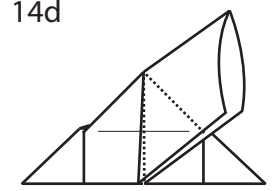
14 Complicated step.
Open up flaps A and B. Pull edge C up perpendicular to the base. Pinch edge d-e and edge f-g together. Follow the triangle crease on the bottom layer from steps 10-12. Then fold to the right so that it's flat again.



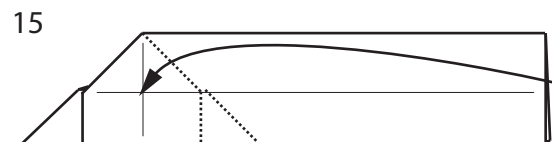
14c Intermediate step.



14b Intermediate step.



14d Intermediate step.



15 Raise flap back to the vertical position.